

## NOCCHI CM

### HORIZONTAL CENTRIFUGAL PUMPS



MAXIMUM RELIABILITY, RUGGED AND RESISTANT, OPTIMAL HYDRAULIC PERFORMANCE

The CM series of single impeller centrifugal pumps are silent with optimal hydraulic performance.

#### APPLICATIONS

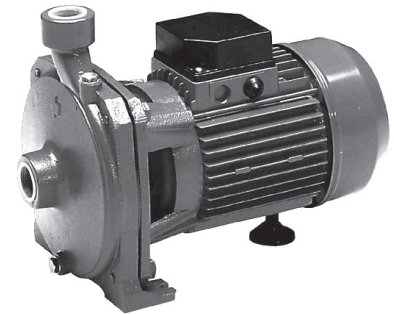
- Lifting from wells for irrigation.
- Pressure booster systems.
- Autoclaves for residential applications.
- Washing.

#### APPLICATION DATA

- Type of liquid: clear or slightly cloudy, non-abrasive water.
- Maximum liquid temperature: 90°C (model CM 90/22 50°C).
- Maximum recommended suction height: 5 m with foot valve.
- Maximum operating pressure:  
6 bar on models HP 0.5.  
8 bar on models HP 1 - 1.5 - 2.

#### MOTOR

- Closed, ventilated from exterior.
- Protection rating IP 44.
- Insulation class F.
- Single phase power supply with permanently activated capacitor and thermal cutout protection incorporated in the motor winding.
- Three phase power supply with external protection to be fitted by the user.
- Rotation speed 2850 rpm.
- Continuous duty.



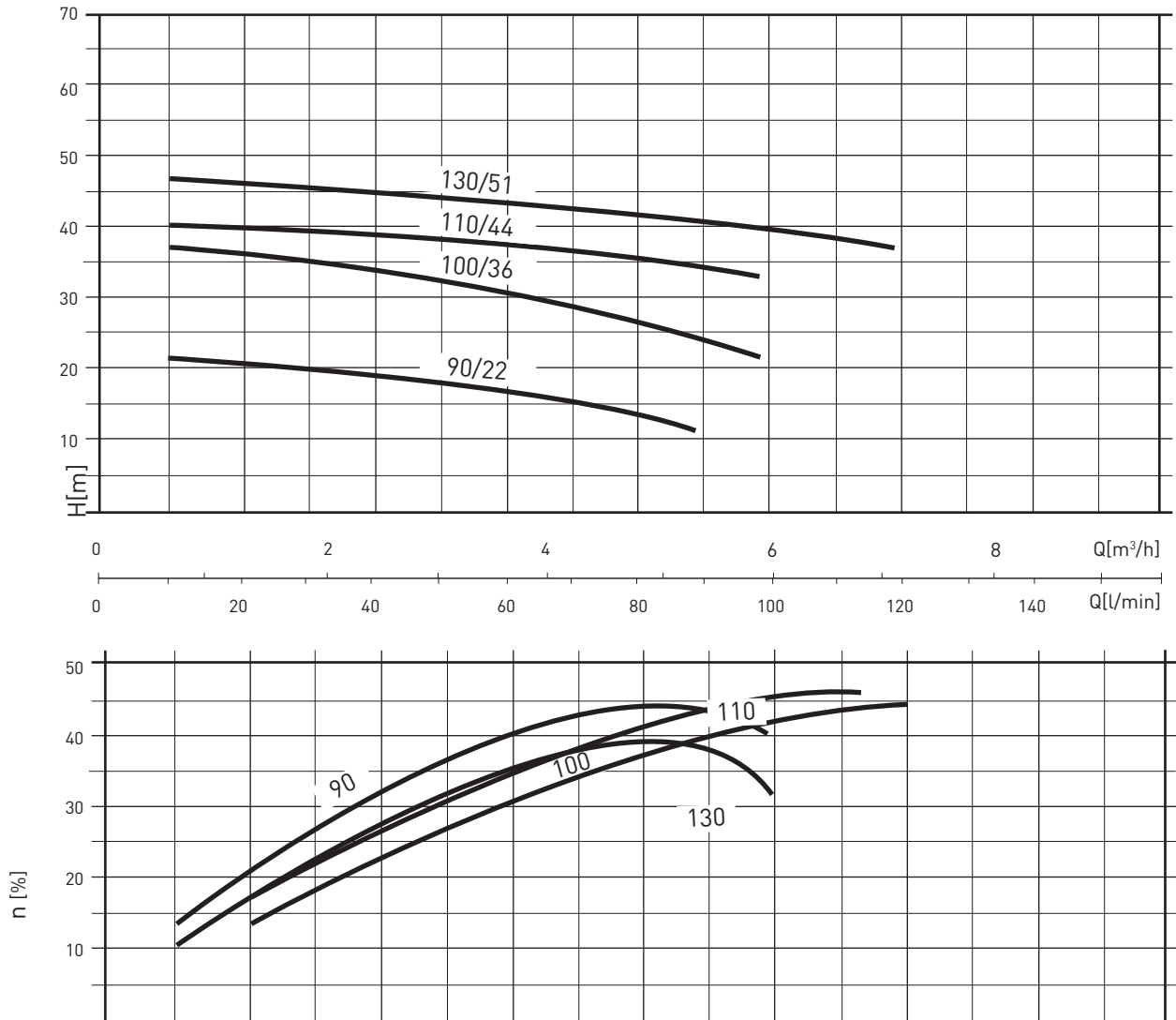
#### TABLE OF MATERIALS

Component	Material
Pump body	Cast iron EN GJL 200 (ex G20)
Motor bracket	Cast iron EN GJL 200 (ex G20)
Impeller	Brass (CM 90/22 in technopolymer)
Motor shaft	Stainless steel X 12 CrNiS 1809 (AISI 416)
Mechanical gasket	Graphite
Counterface	Ceramic
Seals	NBR 70 shore

# NOCCHI CM

## HORIZONTAL CENTRIFUGAL PUMPS

### HYDRAULIC PERFORMANCE



MEI ≥ 0.1 - MEI reference ≥ 0.70 - The reference efficiency information is available on the website: [www.europump.org/efficiencycharts](http://www.europump.org/efficiencycharts)

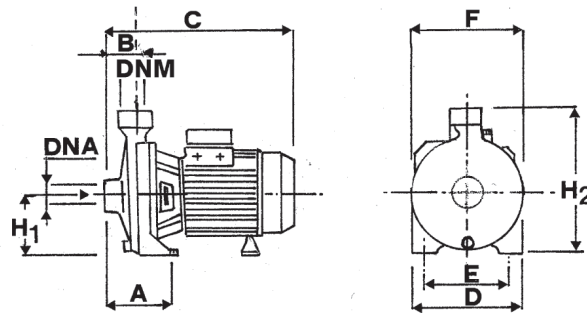
# NOCCHI CM

## HORIZONTAL CENTRIFUGAL PUMPS

### PERFORMANCE TABLE

MODEL	Motor output (P2)		Motor output (P1)		VOLT	In (A)	μF	Q	L/ min m³/h	10	30	50	80	100	120
	HP	kW	HP	kW						0.6	1.8	3	4.8	6	7.2
CM 90/22 M* CM 90/22 T*	0.5	0.35	1	0.75	1 ~ 230 V 3 ~ 230-400 V	3.6 2.4-1.4	12.5	m.c.a./m.w.c.	22	20	18	13			
CM 100/36 M CM 100/36 T	1	0.75	1.7	1.25	1 ~ 230 V 3 ~ 230-400 V	5.5 3.8-2.2	20		35	33	31	26	22		
CM 110/44 M CM 110/44 T	1.5	1.1	2.3 2.4	1.7 1.8	1 ~ 230 V 3 ~ 230-400 V	8 5.5-3.2	35		41	40	39	36	34		
CM 130/51 M CM 130/51 T	2	1.5	3.2 2.8	2.4 2.1	1 ~ 230 V 3 ~ 230-400 V	10.3 6.9-4.0	40		47	46	45	42	40	38	

\* Impeller in technopolymer



### OVERALL DIMENSIONS AND WEIGHTS

MODEL	Dimensions (mm)										Weight (kg)
	A	B	C	D	E	F	H1	H2	DNA	DNM	
CM 90/22	75	43	267	150	110	160	82	202	1"	1"	6.5
CM 100/36	82	44	310	180	140	185	107	242	1"	1"	11
CM 110/44	88	45	350	194	155	200	100	252	1"1/4	1"	20
CM 130/51	88	45	361	220	180	225	115	285	1"1/4	1"	23