

NOCCHI PRIOX

SUBMERSIBLE VORTEX PUMPS FOR WASTE WATER

NEW

The pumps in the PRIOX series are constructed in 100% AISI 304 stainless steel. They operate entirely immersed in the pumped liquid, which serves to cool the motor from the exterior. Designed with retracted impeller and vortex operation. Automatic version (AUT) equipped with float switch.

MOTOR

- Dry motor.
- Protection rating IP 68.
- Insulation class F.
- Single phase power supply with permanently activated capacitor and thermal cutout protection incorporated in the motor winding.
- Fully insulated cable connection chamber.
- Self-lubricating ball bearings.
- Rotation speed 2850 rpm.

APPLICATIONS

- All applications for lifting and draining waste water with suspended solids.
- Pump stations with one or more pumps for agricultural and civil complexes.

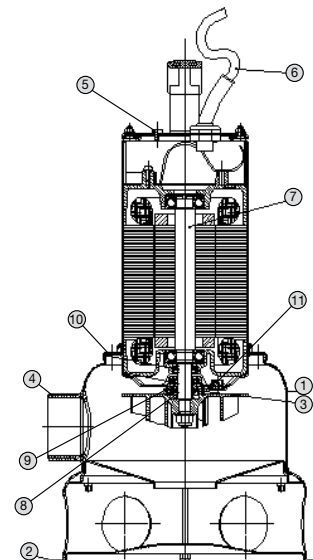
APPLICATION DATA

- Type of liquid: waste and sewage water with solids.
- Maximum liquid temperature: 40°C.
- Maximum immersion below water level: 7 m.
- Permanent operation (S1) only submerged
- Minimum drainage level 60 mm (on manual version).
- Free passage: 40 mm or 50 mm range as indicated.



TABLE OF MATERIALS

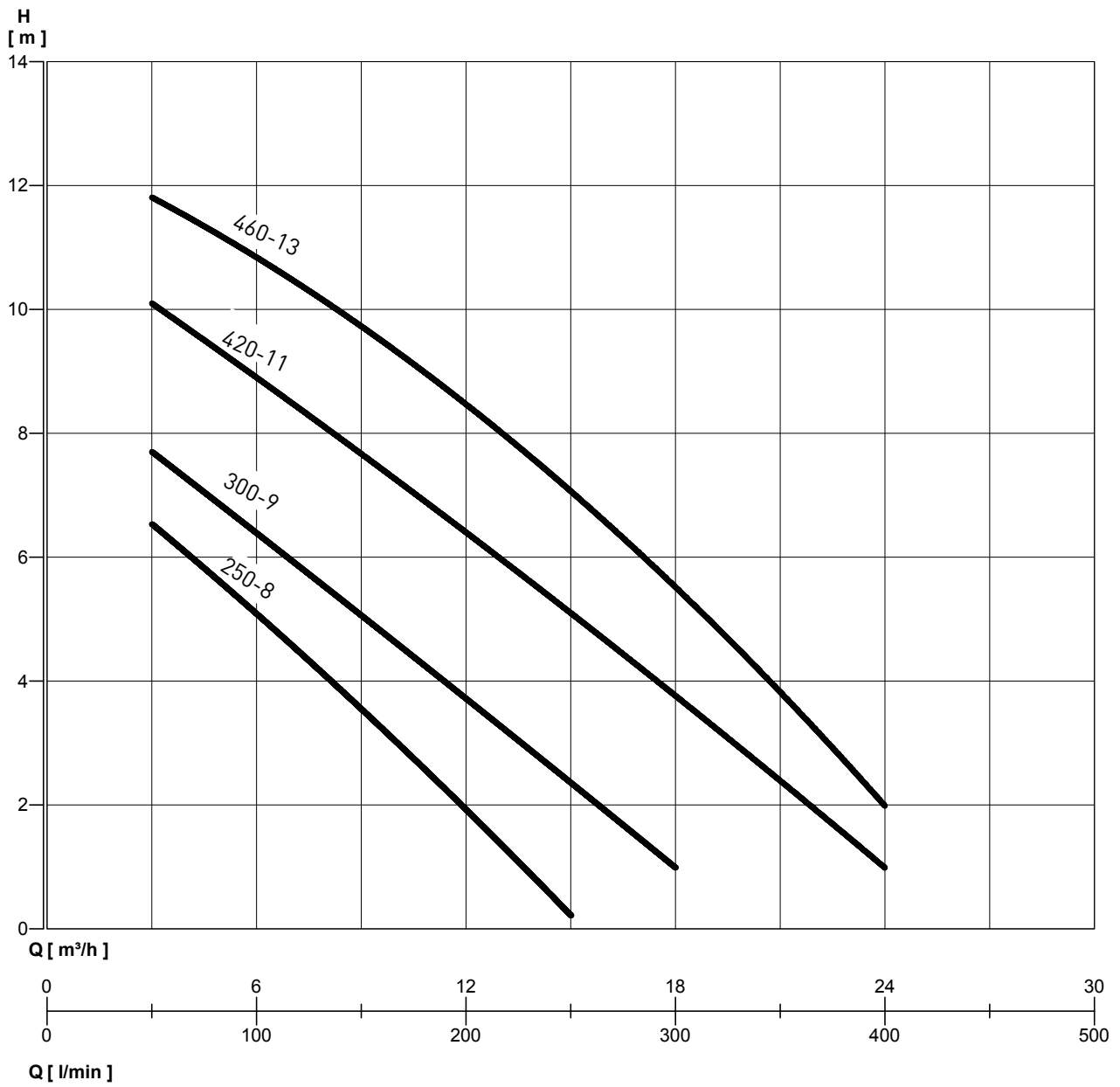
Component		Material	
1	Pump body	Stainless steel X5 CrNi 1810 (AISI 304)	
2	Suction base	Stainless steel X5 CrNi 1810 (AISI 304)	
3	Impeller	Cast stainless steel X5 CrNi 1810 (AISI 304)	
4	Delivery port	Threaded	
5	Cover	Cast stainless steel (Priox 800/18)	
6	Power cable	10 m H07 RN-F with plug	
7	Motor shaft	Stainless steel X5 CrNiS 1809 (AISI 416)	
8	Mechanical gasket	Silicon carbide	Lubricated in oil chamber
9	Counterface	Silicon carbide	
10	Secondary seal	Lip seal in rubber NBR	
11	V-ring sand guard	Rubber NBR	



NOCCHI PRIOX

SUBMERSIBLE VORTEX PUMPS FOR WASTE WATER

HYDRAULIC PERFORMANCE

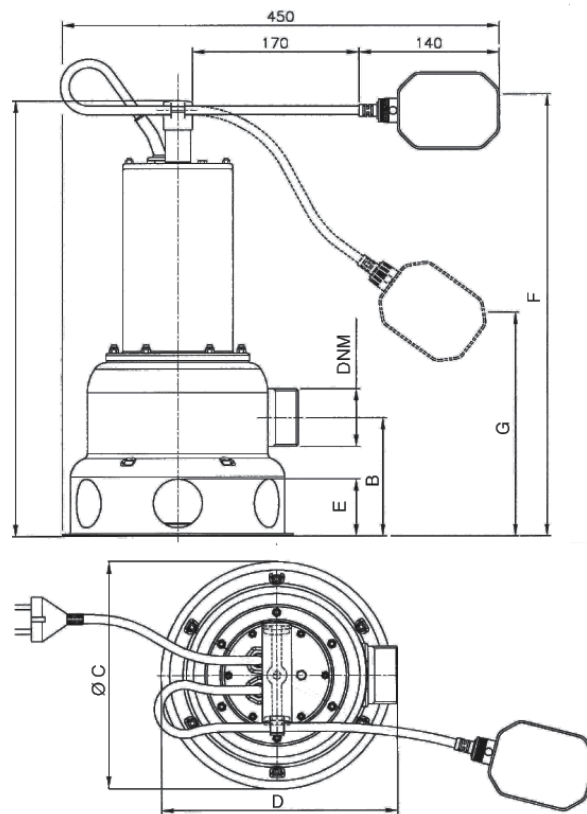


NOCCHI PRIOX

SUBMERSIBLE VORTEX PUMPS FOR WASTE WATER

PERFORMANCE TABLE

MODEL	Nominal Power (P2)		Motor Power (P1)		VOLTAGE (V)	In (A)	μF	Q	L/min	50	100	150	200	250	300	400	
	HP	kW	HP	kW					m³/h	3	6	9	12	15	18	24	
PRIOX 250/8 M PRIOX 250/8 M AUT	0.75	0.55	1.1	0.8	1 - 230	3.6	14	m.c.a. / m.w.c.	6.5	5.2	3.4	2.0	0.2				
PRIOX 300/9 M PRIOX 300/9 M AUT	0.8	0.6	1.2	0.9	1 - 230	4.1	14		7.7	6.4	5	3.8	2.3	1			
PRIOX 300/9 T	0.8	0.6	1.2	0.9	3 - 400	1.55			10	9	7.8	6.3	5	3.8	1		
PRIOX 420/11 M PRIOX 420/11 M AUT	1.2	0.9	1.8	1.3	1 - 230	6	20		11.8	10.8	9.8	8.5	7	5.5	2		
PRIOX 420/11 T	1.2	0.9	1.8	1.3	3 - 400	2.3											
PRIOX 460/13 M PRIOX 460/13 M AUT	1.5	1.1	2.2	1.6	1 - 230	7.2	20										
PRIOX 460/13 T	1.4	1	2	1.45	3 - 400	2.4											



OVERALL DIMENSIONS AND WEIGHTS

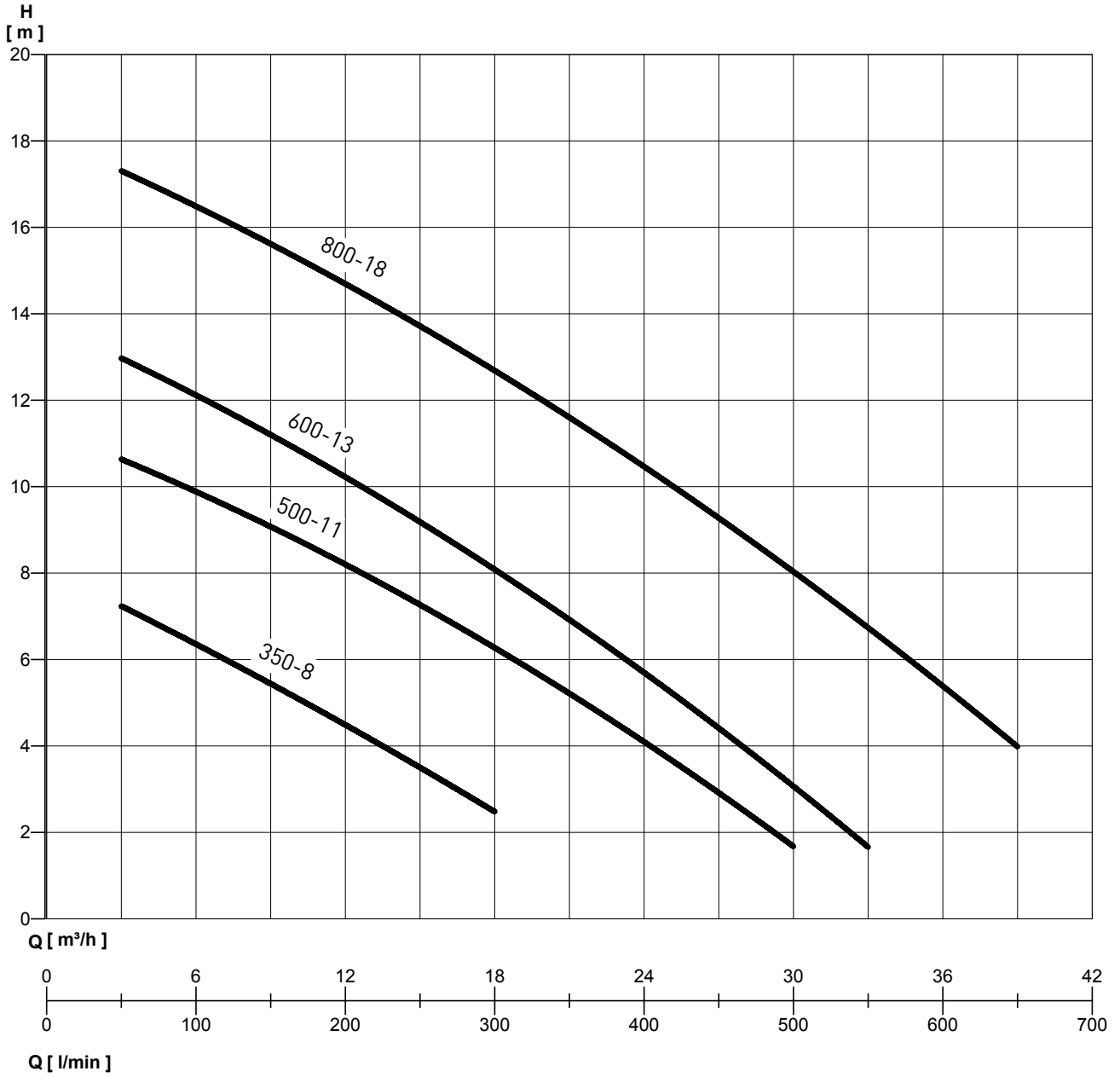
MODEL	Dimensions (mm)										Weight (kg)
	A	B	C	D	Min. drain level E*	ON level F	OFF level G	Free passage	DNM		
PRIOX 250/8	420	122.5	235	249	63	F*	G*	40	1 1/2"	9.4	
PRIOX 300/9	420	122.5	235	249	63	550	290	40	2"	9.6	
PRIOX 420/11	450	122.5	235	249	63	550	290	40	2"	11.2	
PRIOX 460/13	450	122.5	235	249	63	580	320	40	2"	11.7	

* The on /off connection levels refer to the version with float switch. - The minimum drainage level refers to manual operating mode.

NOCCHI PRIOX

SUBMERSIBLE VORTEX PUMPS FOR WASTE WATER

HYDRAULIC PERFORMANCE

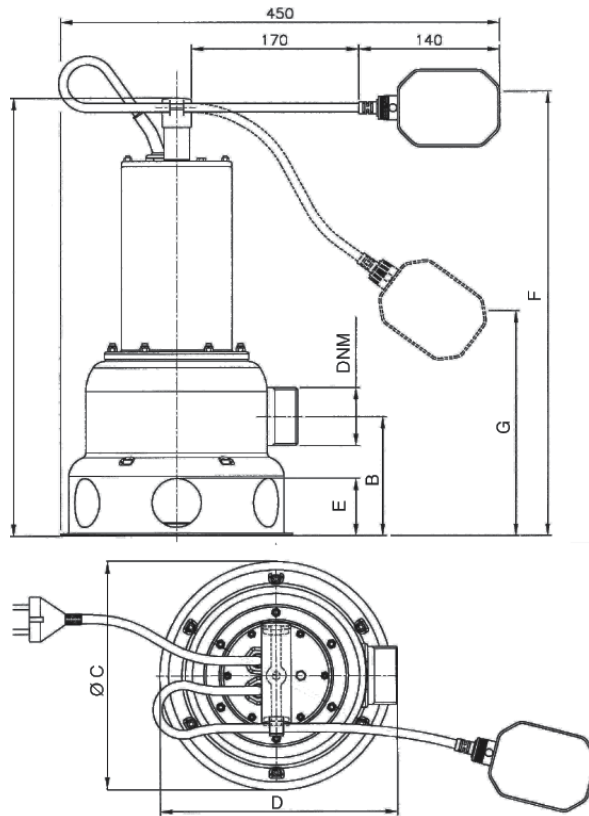


NOCCHI PRIOX

SUBMERSIBLE VORTEX PUMPS FOR WASTE WATER

PERFORMANCE TABLE

MODEL	Nominal Power (P2)		Motor Power(P1)		VOLTAGE (V)	In (A)	µF	Q	Flow rate (l/min)													
	HP	kW	HP	kW					50	100	150	200	250	300	400	500	550	600	650			
PRIOX 50-350/8 M PRIOX 50-350/8 M AUT	0.9	0.65	1.36	1	1 - 230	4.4	14	m.c.a. / m.w.c.	7.2	6.4	5.5	4.4	3.5	2.5								
PRIOX 50-350/8 T	0.9	0.65	1.3	0.98	3 - 400	1.7																
PRIOX 50-500/11 M PRIOX 50-500/11 M AUT	1.4	1	2	1.55	1 - 230	7	20		10.5	10	9.2	8.2	7.2	6.2	4.1	1.7						
PRIOX 50-500/11 T	1.4	1	1.9	1.4	3 - 400	2.4																
PRIOX 50-600/13 T	1.6	1.2	2.4	1.8	3 - 400	3.1			12.8	12.2	11.3	10.3	9.3	8	5.5	3	1.8					
PRIOX 50-800/18 T	3.2	2.4	4	3	3 - 400	5.5			17.3	16.5	15.6	14.7	13.7	12.7	10.5	8	6.7	5.4	4			



OVERALL DIMENSIONS AND WEIGHTS

MODEL	Dimensions (mm)										Weight (kg)
	A	B	C	D	Min. drain level E*	ON level F	OFF level G	Free passage	DNM		
PRIOX 50-350/8	420	122.5	235	249	63	F*	G*	50	2"	9.6	
PRIOX 50-500/11	450	122.5	235	249	63	550	290	50	2"	11.7	
PRIOX 50-600/13	450	122.5	235	249	63	580	320	50	2"	12.6	
PRIOX 50-800/18	485	122.5	235	249	63	580	320	50	2"	20.2	

* The on /off connection levels refer to the version with float switch. - The minimum drainage level refers to manual operating mode.