

# JUNG PUMPEN UB 62-251

## SUBMERSIBLE PUMPS FOR BUILDING SITES

### APPLICATION

The centrifugal submersible pumps of this range UB 62-251 can be used wherever rainwater, groundwater, leaked water, drainage or sewage water with impurities of up to 10 mm particle size occurs. The main applications are on building sites, like structural and civil engineering, sewage-construction and building mines. They can also be used for taking water out of rivers and reservoirs as well as for filling and emptying containers. The standard fixed coupling makes a quick connection of the pressure tube possible.

This range of pumps is **exclusively** suitable for portable use. A controllable oil chamber and wear-resistant special mechanical seal ensure a long service life.

The pumps are delivered complete with lead and plug. The CEE-plug of the three-phase pumps has an integrated phase inverter which facilitates their use on building sites.



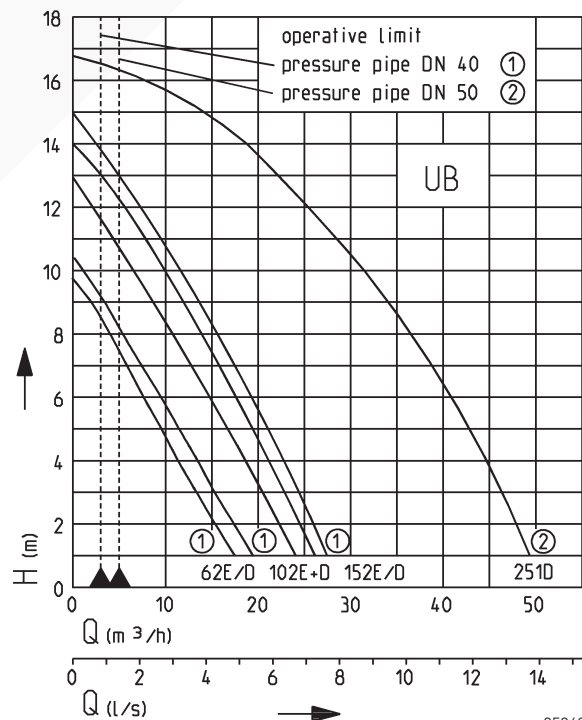
UB 251 DS



UB 62 ES

- Safe to run dry
- Portable
- Integrated fix-coupling
- 10 mm free passage
- Controllable oil chamber
- SiC mechanical seal independent of rotation direction
- Replaceable moisture sealed cable inlet

### PERFORMANCE



25860-02

We reserve the right to change specifications without notice

Pump performance is subject to ISO 9906 tolerances

The minimum flow velocity in the pressure piping must be 0.7 m/s according to EN 12056. This data is represented in the performance curve as a limit of application.

# JUNG PUMPEN UB 62-251

## SUBMERSIBLE PUMPS FOR BUILDING SITES

### SUBMERSIBLE PUMPS FOR BUILDING SITES UB 62-251

| Type                                     | Maximum Height x Width x Depth | Pressure outlet connection C-Coupling | Free passage | Cable quality H07RN-F- | Cable length | Weight approx. | Code No.       |
|--|--------------------------------|---------------------------------------|--------------|------------------------|--------------|----------------|----------------|
| <b>Pumps with built-in level control</b> |                                |                                       |              |                        |              |                |                |
| UB 62 ES                                 | 380 x 180 x 305 mm             | DN 40                                 | 10 mm        | 3G1.0                  | 10 m         | 13.5 kg        | <b>JP09818</b> |
| UB 62 DS*                                | 380 x 180 x 305 mm             | DN 40                                 | 10 mm        | 4G1.0                  | 10 m         | 13.8 kg        | <b>JP09819</b> |
| UB 102 ES                                | 410 x 180 x 305 mm             | DN 40                                 | 10 mm        | 3G1.0                  | 10 m         | 15.3 kg        | <b>JP09283</b> |
| UB 102 DS*                               | 410 x 180 x 305 mm             | DN 40                                 | 10 mm        | 4G1.0                  | 10 m         | 15.8 kg        | <b>JP00534</b> |
| UB 152 ES                                | 435 x 180 x 305 mm             | DN 40                                 | 10 mm        | 3G1.0                  | 10 m         | 16.9 kg        | <b>JP09439</b> |
| UB 152 DS**                              | 435 x 180 x 305 mm             | DN 40                                 | 10 mm        | 4G1.0                  | 10 m         | 17.9 kg        | <b>JP09440</b> |
| UB 251 DS*                               | 360 x 220 x 410 mm             | DN 50                                 | 10 mm        | 6G1.5                  | 10 m         | 30.6 kg        | <b>JP09298</b> |

\* CEE with phase inverter \*\* CEE-Motorprotection with phase inverter

### PERFORMANCE

| Type         | Delivery head H [m] | 1  | 2  | 3  | 4  | 5  | 6  | 7  | 8  | 9  | 10 | 11 | 12                 | 13 | 14 | 16 |
|--------------|---------------------|----|----|----|----|----|----|----|----|----|----|----|--------------------|----|----|----|
| UB 62 ES     |                     | 17 | 15 | 13 | 11 | 9  | 8  | 6  | 4  | 2  |    |    | Flow rate Q [m³/h] |    |    |    |
| UB 62 DS     |                     | 19 | 18 | 15 | 13 | 11 | 9  | 8  | 6  | 4  |    |    |                    |    |    |    |
| UB 102 ES/DS |                     | 24 | 22 | 21 | 19 | 17 | 15 | 13 | 11 | 9  | 7  | 5  | 2                  |    |    |    |
| UB 152 ES    |                     | 26 | 24 | 23 | 21 | 19 | 17 | 16 | 14 | 11 | 9  | 7  | 5                  | 2  |    |    |
| UB 152 DS    |                     | 27 | 25 | 24 | 22 | 20 | 19 | 17 | 15 | 13 | 11 | 9  | 7                  | 5  | 2  |    |
| UB 251 DS    |                     | 49 | 48 | 46 | 45 | 43 | 41 | 39 | 37 | 34 | 32 | 28 | 26                 | 22 | 19 | 10 |

### ELECTRICAL DATA

| Type      | Type of current | Voltage Volt | Motor rating kW |                | RPM min <sup>-1</sup> | Current Ampere | Motor protection | Plug     |
|-----------|-----------------|--------------|-----------------|----------------|-----------------------|----------------|------------------|----------|
|           |                 |              | P <sub>1</sub>  | P <sub>2</sub> |                       |                |                  |          |
| UB 62 ES  | 1-phase         | 1/N/PE~230   | 0.83            | 0.50           | 2510                  | 3.9            | integrated       | Safety-  |
| UB 62 DS  | 3-phase         | 3/PE~400     | 0.85            | 0.60           | 2800                  | 1.4            | integrated       | CEE-     |
| UB 102 ES | 1-phase         | 1/N/PE~230   | 1.37            | 0.98           | 2700                  | 6.0            | integrated       | Safety-  |
| UB 102 DS | 3-phase         | 3/PE~400     | 1.36            | 1.06           | 2740                  | 2.4            | integrated       | CEE-     |
| UB 152 ES | 1-phase         | 1/N/PE~230   | 1.60            | 1.21           | 2814                  | 7.5            | integrated       | Safety-* |
| UB 152 DS | 3-phase         | 3/PE~400     | 1.70            | 1.41           | 2815                  | 3.1            | integrated       | CEE-*    |
| UB 251 DS | 3-phase         | 3/N/PE~400   | 2.60            | 2.10           | 2860                  | 4.4            | integrated       | CEE-*    |

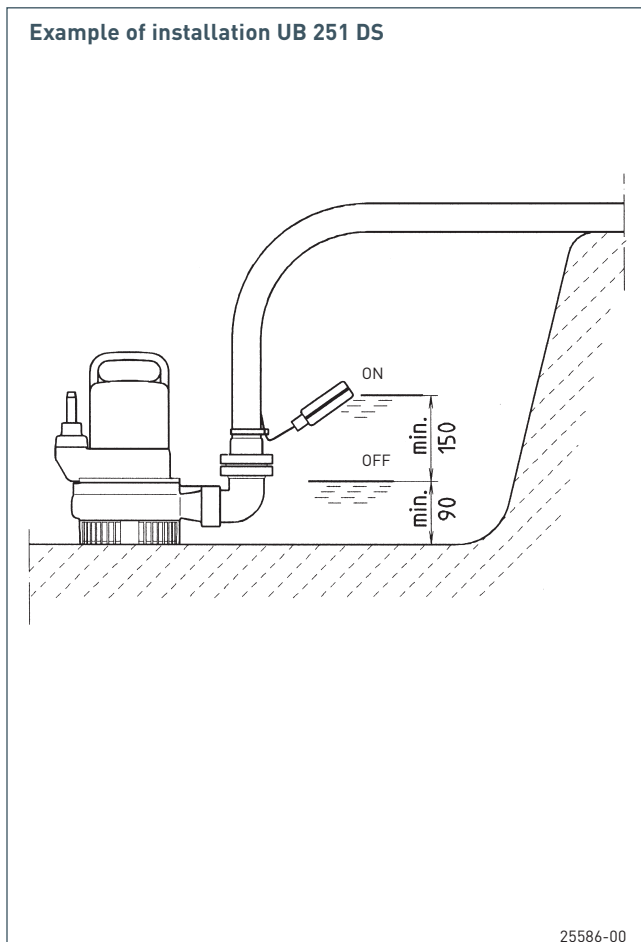
\*Protective motor plug

# JUNG PUMPEN UB 62-251

## SUBMERSIBLE PUMPS FOR BUILDING SITES

### ACCESSORIES

|  | Code No.       | 62<br>ES | 62<br>DS | 102<br>ES | 102<br>DS | 152<br>ES | 152<br>DS | 251<br>DS |
|--|----------------|----------|----------|-----------|-----------|-----------|-----------|-----------|
| <b>Fully synthetic flexible hose</b> , 15 m, size C, 52 mm with integrated solid fire hose couplings | <b>JP00336</b> | •        | •        | •         | •         | •         | •         | •         |
| <b>Antikink</b> for flexible hose  | <b>JP25707</b> | •        | •        | •         | •         | •         | •         | •         |
| <b>Coupling wrench</b>   | <b>JP25708</b> | •        | •        | •         | •         | •         | •         | •         |
| <b>Chain</b> certified, stainless steel, 2.5 m, 5 rings, 160 kg, (EN 818 mod.)                       | <b>JP45901</b> | •        | •        | •         | •         | •         | •         | •         |
| <b>Webbing with shackle</b> A 0.6  | <b>JP45168</b> | •        | •        | •         | •         | •         | •         | •         |



# JUNG PUMPEN UB 62-251

## SUBMERSIBLE PUMPS FOR BUILDING SITES

### TECHNICAL DATA

#### Pump

Vertical, single-stage, submersible, volute or spiral casing with horizontal discharge with stationary coupling C, open vortex impeller, 10 mm passage.

#### Bearings

Common shaft for pump and motor, with ball bearings, deep groove ball bearing with grease chamber (US 251 with angular ball bearings).

#### Seal

Silicon carbide mechanical seal, oil chamber and duplex rotary seal towards the motor section, safe to run dry, a seal leak control can be connected.

#### Motor

Submersible, motor type of enclosure IP 68, insulation class B or F (UB 251), winding thermostat protects the motor from overload, starting via plug, automatically via mounted circuit or rather submersible ball contact switch, continuously variable switch points.

#### Material

Volute or spiral housing made of GG grey cast iron, power supply through rubber insulated flexible cable.

**UB 62, UB 102 and UB 152:** terminal board cover, impeller, wear plate and foot strainer made of GRP, motor casing and shaft in stainless steel

**UB 251:** Motor casing and cable inlet made of GG grey cast iron, rubber coated wear plate, shaft from C 45 steel encapsulated, open centrifugal impeller and foot strainer made of GRP

#### Installation

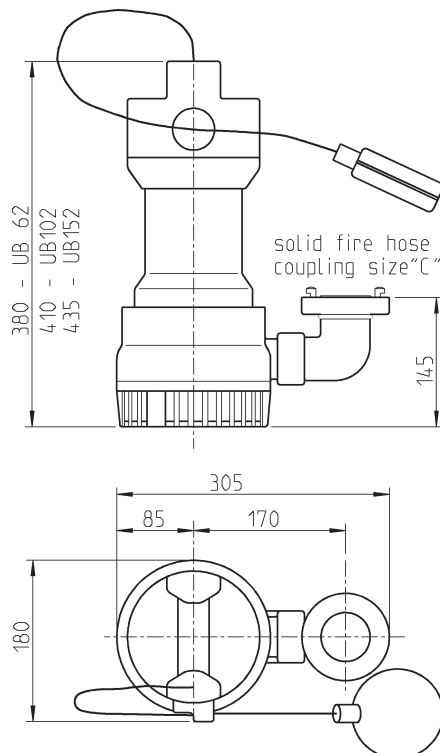
Install pump vertically, hose connection size C is provided.

#### Scope of supply

Pump acc. to EN 12050 ready for connection with cable and safety-plug (1-phase) or CEE-plug with phase inverter (3-phase), built-in level control and fixed coupling.

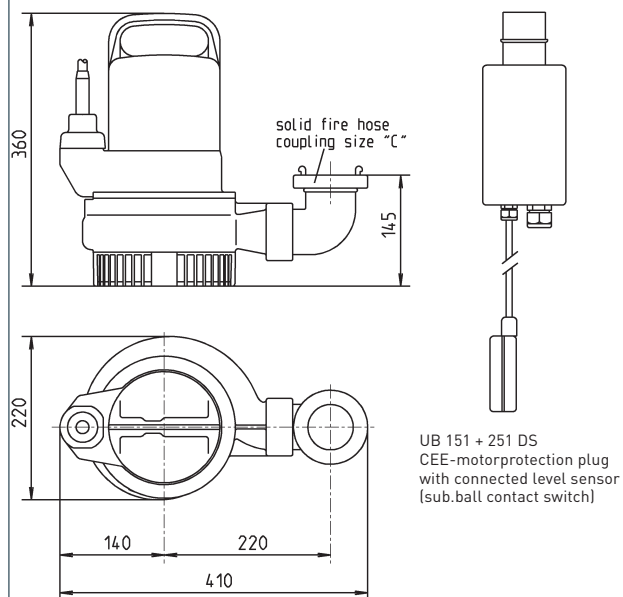


Dimensions UB 62 - UB 152 (mm)



25636-03

Dimensions UB 251 (mm)



25574-02